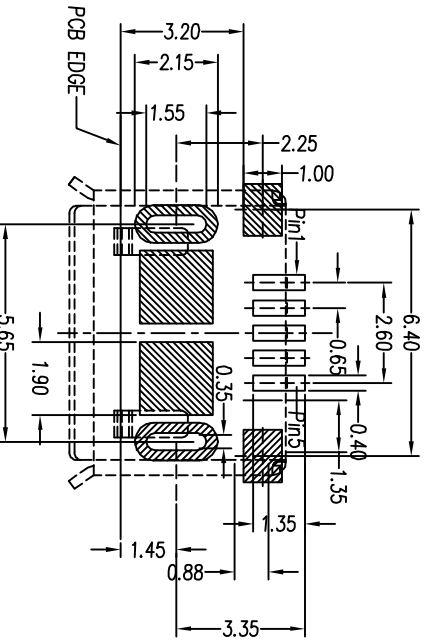
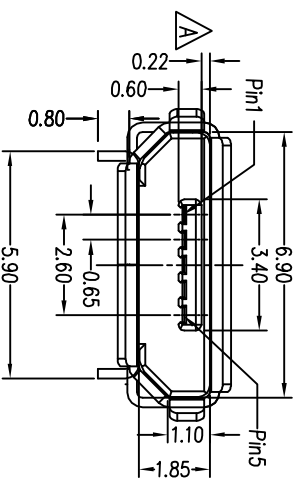
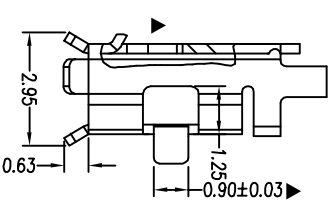
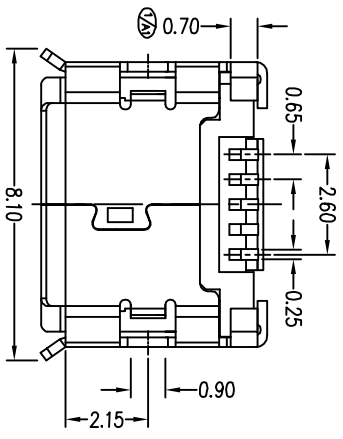
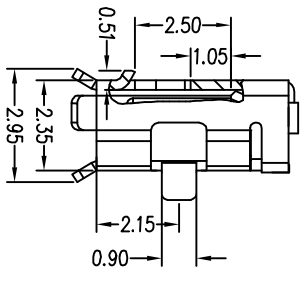
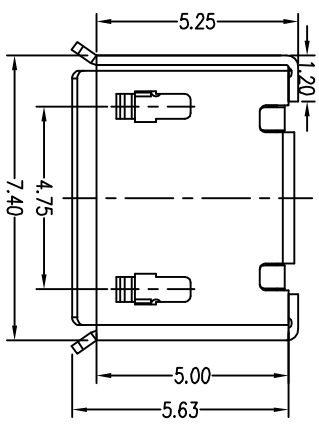
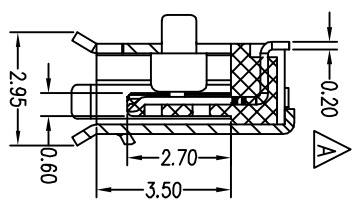
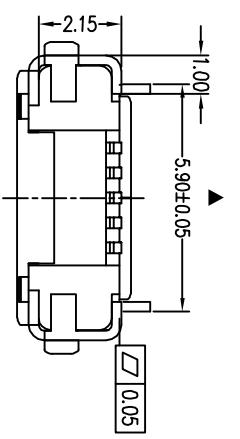


REV.	EQN NO	LOCATIONS	DESCRIPTION	DATE	REVISER	APPD



Note:

1. Material:

1.1 Housing: High temperature thermoplastic with g.f.i.U.L94V-0

1.2 Contact: copper alloy,t=0.20mm

1.3 Shell: SUS304,t=0.25mm

2. Specification:

2.1 Current rating: 1 A Max.

2.2 Dielectric withstanding voltage: 100 V(ac) for 1 min.

2.3 Contact resistance: 50 mΩ Max.

2.4 Insulation resistance: 100 MΩ Min.

2.5 Total mating force: 3.57 Kgf Max.

2.6 Total unmating force: 1.0 Kgf Min.0.81~2.05 Kgf Min.after 10000 insertion/extraction cycles

2.7 Temperature range: -30°C~80°C

Order Information:

1-MD055MXXX-01

① ② ③ ④ ⑤ ⑥ ⑦ ⑧ ⑨

- | | | | |
|----------------|-----------|--------------------|------------------|
| 1: Assy. | 5: Style | 7: Contact plating | 8: Shell plating |
| 2: Series No. | M: Smt | 1: 1u" | T: Tin |
| 3: Contact No. | 6: Color | 2: 3u" | N: Nickel |
| 05: 5 pos. | B: Black | 3: 5u" | A: Au plated all |
| 4: P: Plug | W: White | 4: 15u" | B: None |
| S: Socket | N: Nature | 5: 30u" | ... |

No.	Nome	Q'ty	Finish
3	Shell	1	N/A
2	Contact	5	N/A
1	Housing	1	N/A

PART NO:	1-MD055MXXX-01	MATERIAL:	SEE NOTE
MODEL NO:		FINSH:	SEE NOTE
UNIT:	mm	COLOR:	SEE NOTE
SIZE:	A4	DR:	???
TOLERANCE UNSPECIFIED		CHK:	
.x	±0.38	APP:	
.xx	±0.25	SCALE:	1:1
.xxx	±0.13	SHEET:	1/1
ANG.	±2°	REV:	A

TITLE: Micro usb 5s B Type Smt有焊脚(插板式)
CUSTOMER DRAWING

